

# IQ10000EV

STANDARD  
CONTROLLER  
LOCATION

AMBIENT INTAKE FILTER

(2) PEM, STUD, 1/4"-20, 1"LG

OPTIONAL  
CONTROLLER  
LOCATION

Ø6.625  
[168.28]  
WITH GUARD

ENCLOSURE  
INTAKE

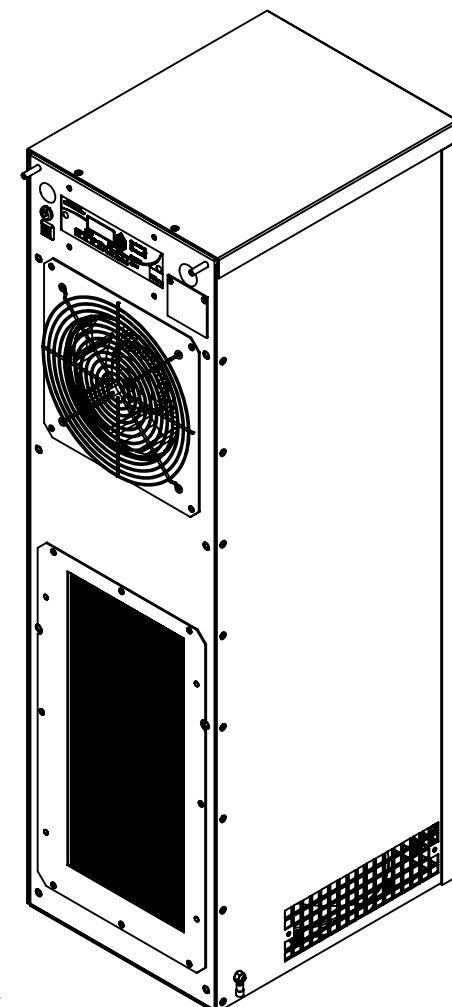
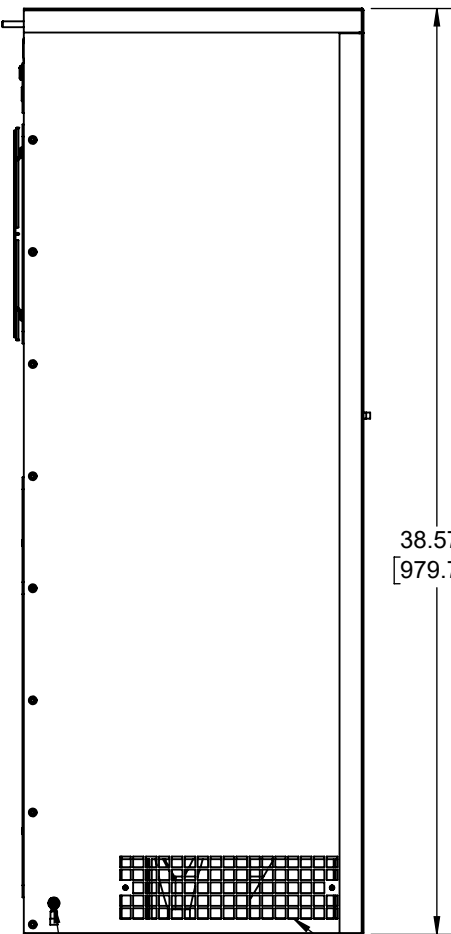
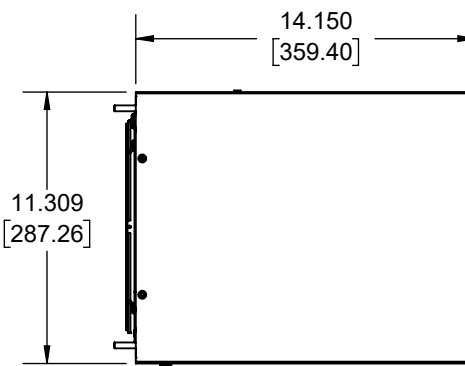
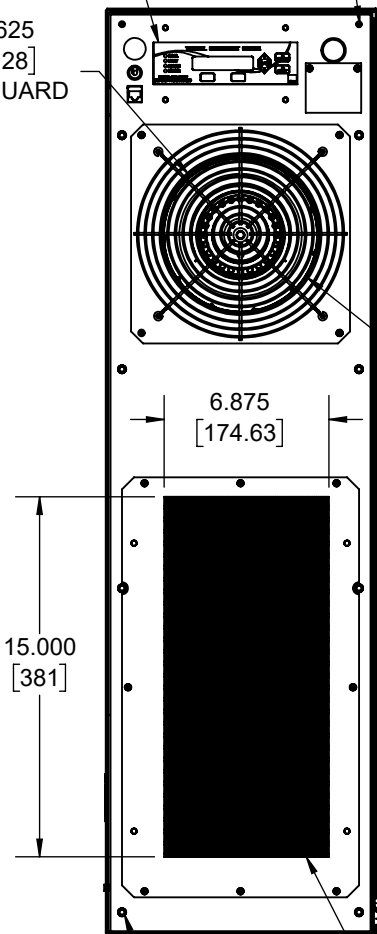
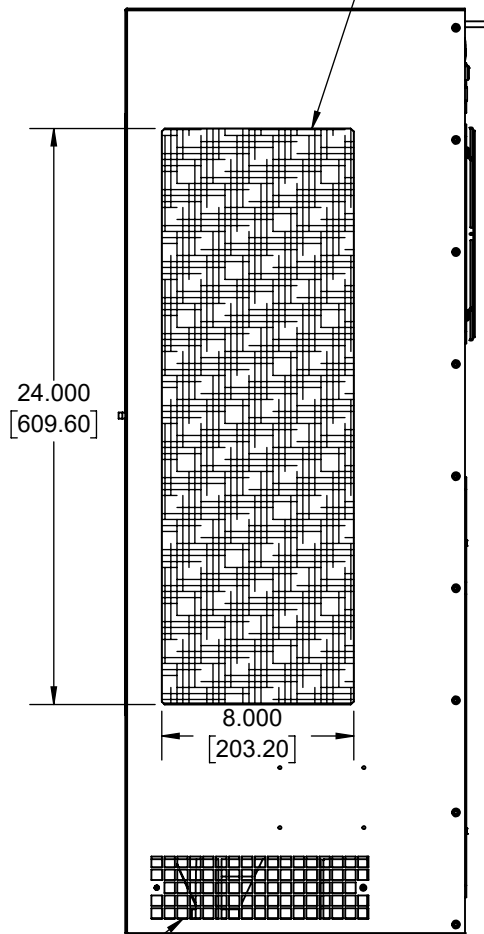
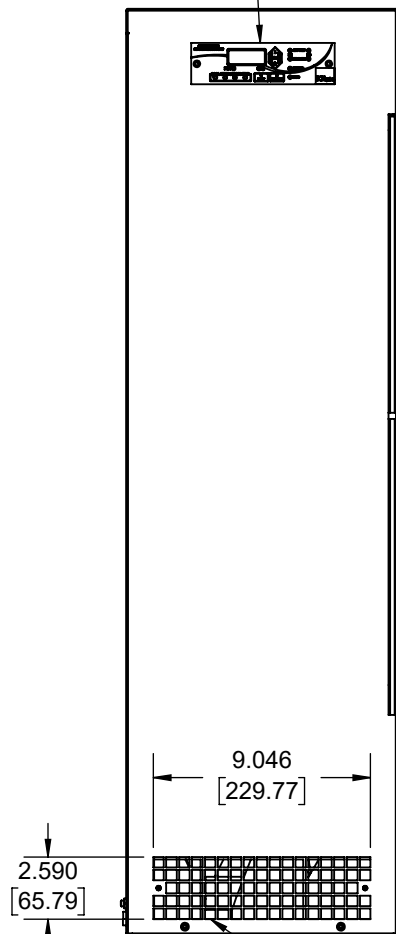
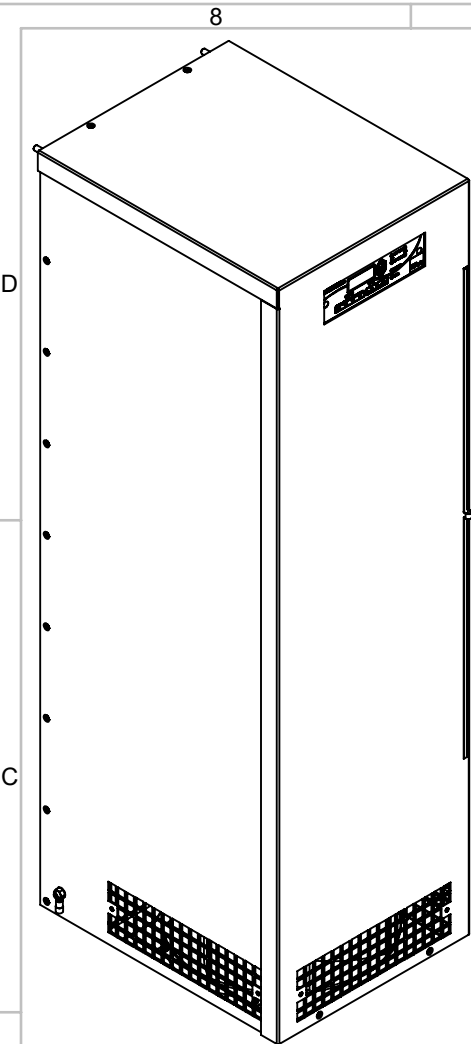
ENCLOSURE  
EXHAUST

EXTERNAL GROUND  
Ø6MM, 12MM LG STUD  
WITH RING TERMINAL

AMBIENT EXHAUST

(8) PEM, NUT, #1/4-20

DRAIN TUBE .375" [9.53] O.D.



IQ10000EV  
 NOMINAL COOLING CAPACITY:  
 10358 BTUH @ (3036W) 140-140°F (60°C-60°C)  
 10291 BTUH @ (3016W) 95-95°F (35°C-35°C)  
 MAXIMUM AMPS: 19.80 (2376W) @ 120V/60Hz  
 MAXIMUM AMPS: 10.00 (2200W) @ 220V/50Hz  
 MAXIMUM AMPS: 10.10 (2323W) @ 230V/60Hz  
 MAXIMUM AMPS: 5.06 (2429W) @ 480V/50Hz  
 MAXIMUM AMPS: 5.05 (2424W) @ 480V/60Hz  
 MAXIMUM AMPS: 5.10 (2040W) @ 400V/50Hz  
 MAXIMUM AMPS: 5.09 (2036W) @ 400V/60Hz  
 MAXIMUM OPERATING TEMPERATURE: 140°F (60°C)  
 DIMENSIONS: 38.584" (980MM) H x 11.309" (287MM) W x 14.150" (359MM) D  
 WEIGHT: 126 LBS (57.2KG) @ 120/220/230V  
 WEIGHT: 150 LBS (68.0KG) @ 400/480V  
 REFRIGERANT CHARGE-R407C:  
 120V- 2LB 7OZ (1106G)  
 220/230V-400/480V- 2LB 4OZ (1021G)

2.590  
[65.79]

9.046  
[229.77]

24.000  
[609.60]

8.000  
[203.20]

15.000  
[381]

6.875  
[174.63]

38.574  
[979.78]

14.150  
[359.40]

11.309  
[287.26]

| REV | DESCRIPTION                        | CHG | DATE       | APP | DATE       | CN # |
|-----|------------------------------------|-----|------------|-----|------------|------|
| E   | ADDED CFM, dBA, AND CLEARANCE INFO | RCC | 3/22/2018  | ART | 5/11/2018  | 1347 |
| D   | UPDATED UNIT DATA                  | JGG | 12/18/2017 | ART | 12/18/2017 | 1336 |
|     | REVISION                           |     |            |     |            |      |

|                    |                      |
|--------------------|----------------------|
| ITEM NUMBER<br>N/A | USED ON<br>IQ10000EV |
| MATERIAL<br>N/A    |                      |
| EST WT: lbs        |                      |
| DRAWN BY<br>ART    | DATE<br>10/12/2016   |
|                    | SCALE<br>1:8         |

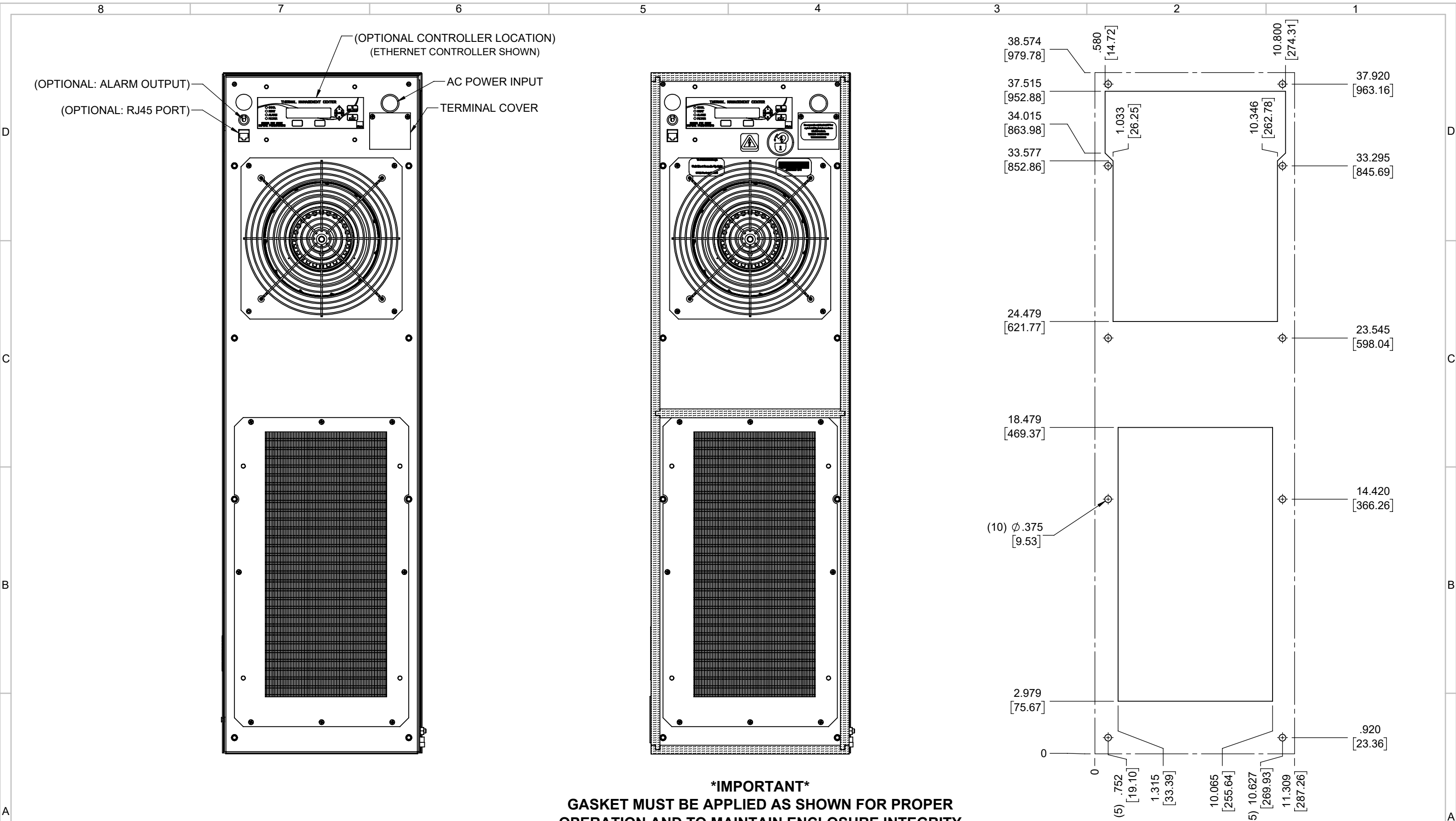
|  |
|--|
| UNLESS OTHERWISE SPECIFIED TOLERANCES      |
| .X ±.060                                   |
| .XX ±.030                                  |
| .XXX ±.015                                 |
| FRACTIONAL ±1/16                           |
| ANGULAR ±1/2°                              |
| SURFACE FINISH 63                          |
| DO NOT SCALE DRAWING DIMENSIONS ARE INCHES |

**ICE QUBE, INC.**  
 THIS IS A PROPRIETARY DOCUMENT. DO NOT REPRODUCE OR DISCLOSE WITHOUT THE EXPRESS WRITTEN PERMISSION OF ICE QUBE, INC.

DESCRIPTION  
**IQ10000EV SPEC DRAWING**

DRAWING NUMBER  
**IQ351081**

REV  
**E**



**\*IMPORTANT\***  
**GASKET MUST BE APPLIED AS SHOWN FOR PROPER OPERATION AND TO MAINTAIN ENCLOSURE INTEGRITY**

EVAP. OUTLET ≈ 510 CFM  
 COND. OUTLET ≈ 800 CFM  
 SOUND LEVEL @5FT FROM UNIT @ A HT. OF 3FT = 68 dBA  
 SOUND LEVEL @2FT FROM UNIT @ A HT. OF 5FT = 70 dBA  
 CONDENSER INLET MIN. CLEARANCE 3.00"

|                    |                      |   |  |
|--------------------|----------------------|---|--|
| ITEM NUMBER<br>N/A | USED ON<br>IQ10000EV | UNLESS OTHERWISE SPECIFIED TOLERANCES<br>X ±.060<br>.XX ±.030<br>.XXX ±.015 | <br><small>THIS IS A PROPRIETARY DOCUMENT. DO NOT REPRODUCE OR DISCLOSE WITHOUT THE EXPRESS WRITTEN PERMISSION OF ICE QUBE, INC.</small> |
| MATERIAL<br>N/A    |                      | FRACTIONAL ±1/4<br>ANGULAR ±1/2°  |  |
| EST WT:<br>lbs     |                      | SURFACE FINISH<br>63  | DESCRIPTION<br>IQ10000EV SPEC DRAWING  |
| DRAWN BY<br>ART    | DATE<br>10/12/2016   | SCALE<br>1:5  | DRAWING NUMBER<br>IQ351081   |
|                    |                      | DO NOT SCALE DRAWING DIMENSIONS ARE INCHES                                  | REV<br>E   |